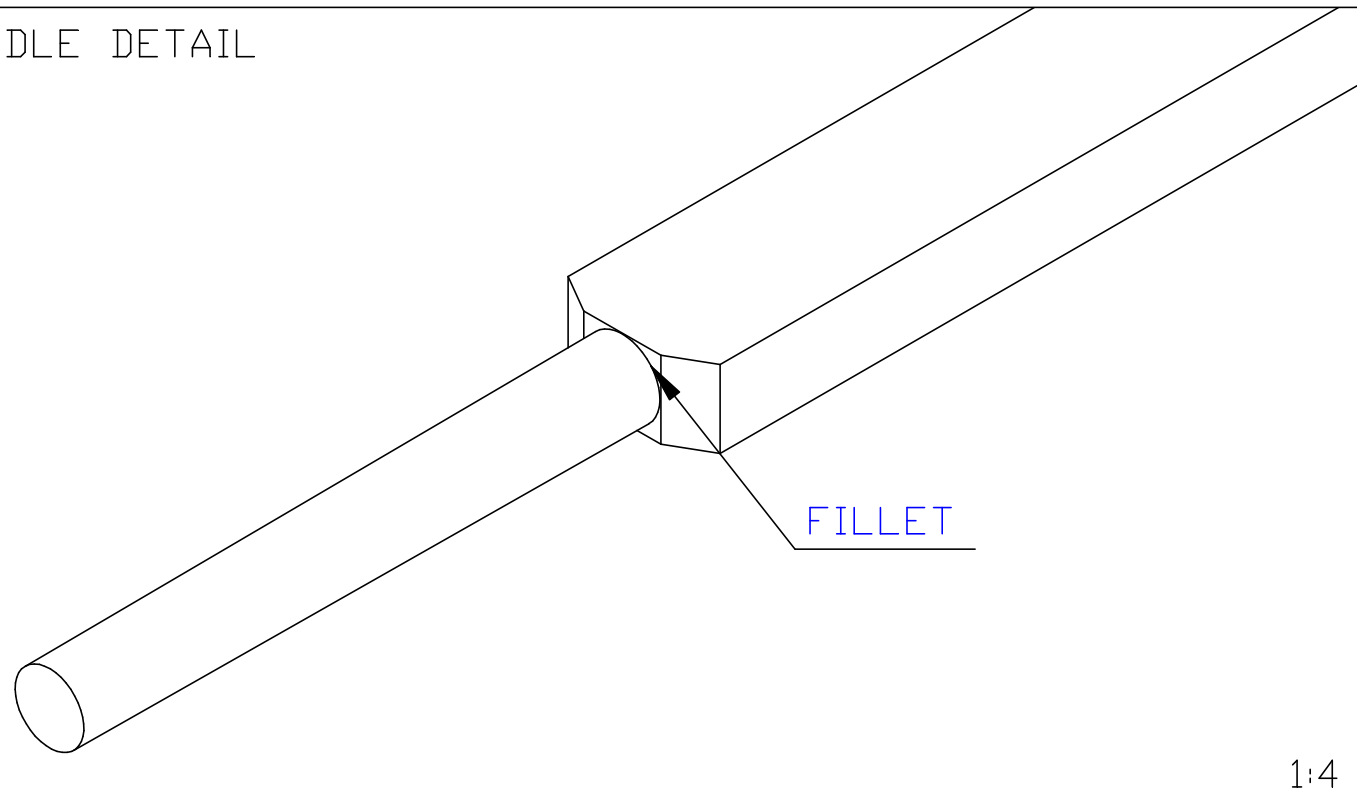


HANDLE DETAIL



FILLET

1:4

THE REDUCTION IN SECTION SIZE AT THE ROOT OF THE HANDLE CAUSES A STRESS PEAK. GREAT EFFORT MUST BE TAKEN TO AVOID NARROWING THIS BELOW THE STATED SIZE.

A FILLET AS LARGE AS IS PRACTICABLE IS TO BE RETAINED AND THE INTRODUCTION OF STRESS-RAISERS AVOIDED.

TITLE		SOLID DOUGLAS FIR OAR	
AUTHOR		FINLAY ROBERTSON	
DATE	09-04-17	ISSUE	DRAFT
SCALE	1:2	SHEET	4 OF 4

